

KEY FEATURES:

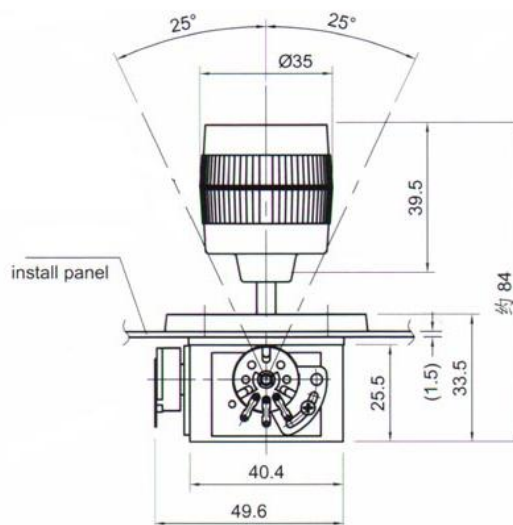
- 3 Axis Potentiometer Based Joystick
- 5k ohm Potentiometers for Each Axis
- Automatic Spring Return
- Momentary Push Button (Optional)
- Linearity = +/- 1%
- Resistance Tolerance = 5%
- Operational Torque Required = 440 gf
- Life Expectancy = 5,000,000 cycles
- Operating Temperature = -10 C to +80 C



This high quality 3 Axis Joystick comes equipped with rubber boot, momentary push-button, and M12 circular connector for quick and flexible connectivity.

The JOY-3B was designed as a desktop joystick fully compatible with all ModuSystems controller products and comes with a removable 2m cable.

Panel Mount versions and alternate cable lengths are available.



Joystick P/N	Description
JOY-2	2-Axis Desktop Joystick
PM-JOY-2	Panel Mount 2-Axis Joystick
JOY-3	3-Axis Desktop Joystick
PM-JOY-3	Panel Mount 3-Axis Joystick
JOY-3B	3-Axis Desktop Joystick with Momentary Pushbutton
PM-JOY-3B	Panel Mount 3-Axis Joystick with Momentary Pushbutton

Additional Hardware Required for Mounting