

LRA Linear Rotary Actuator



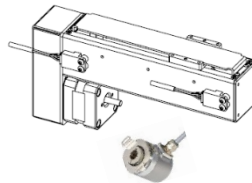
NINJA SERIES
LINEAR ACTUATORS

Feature/Benefit

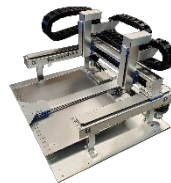
- Compact design combining linear and rotary motion in a single package.
- Lead screw drive for reliable and quiet operation.
- EASY-2-Mount Motor adapter system for mounting Modusystems motor solutions.
- Linear ball recirculation system provides smooth and quiet motion combined with adequate moment load capacities.
- Single Part number solution provides easy to select pre-engineered, pre-assembled Linear motion solution.
- LRA design allows for easy adaptation into pipetting and titration application that both linear and rotary motion.
- Let us select a Modusystems Pre-engineered motor and control solution for your next Screw Drive

Other NINJA Series Actuators

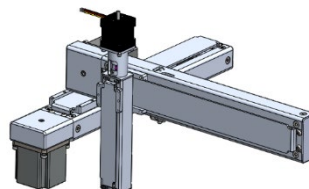
LSA/BSA with Optical Encoder Option: Screw Drive actuators are available with multi-turn 16-bit absolute encoder with energy harvesting...no battery back-up required.



LSA/BSA as a Z-axis: The LSA can be selected with the parallel mount which allows for a more compact design and an easier pathway for cables.

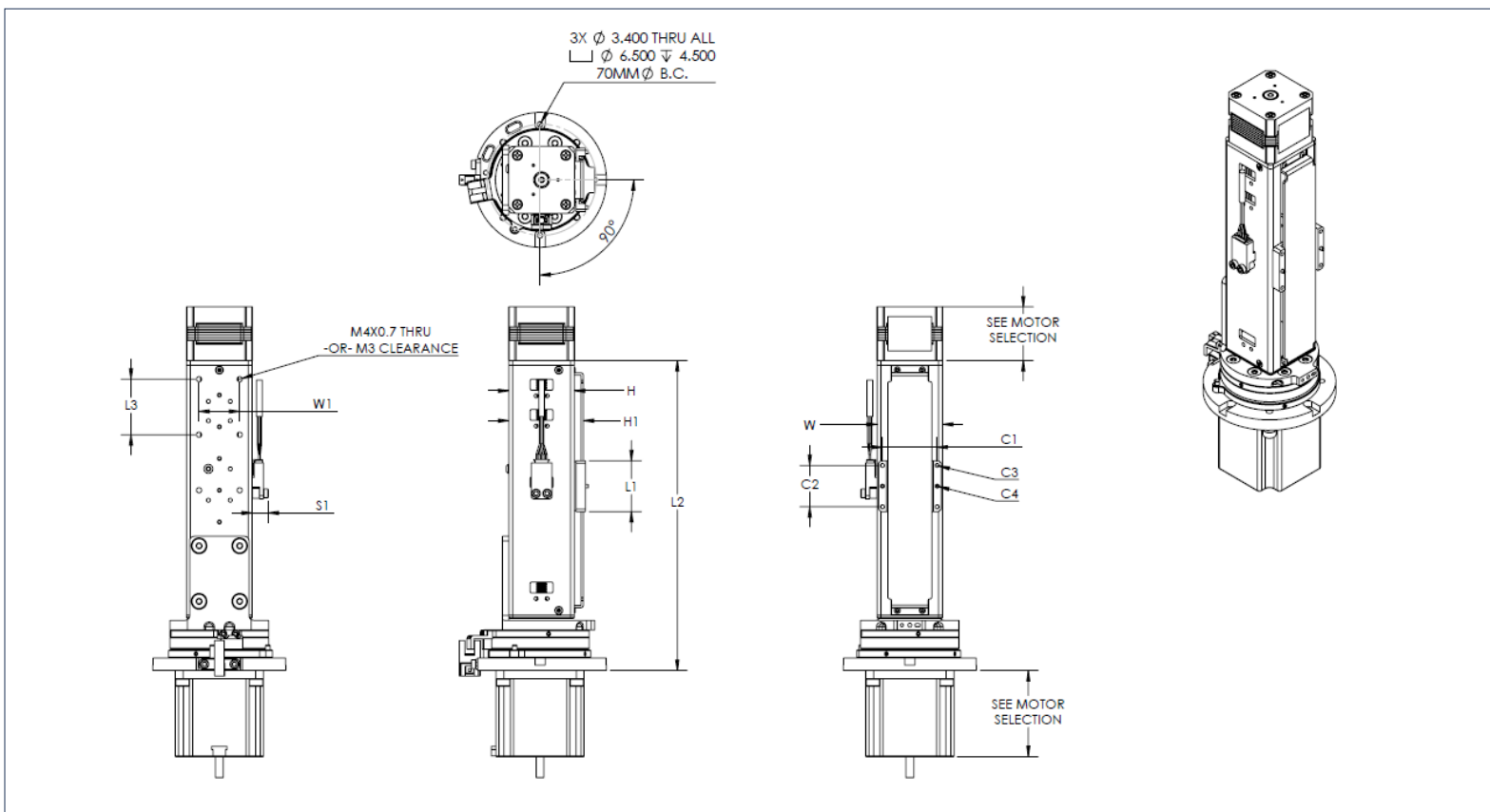


LSA/BSA with Inline motor Mount: The actuator is a nice addition to any multi-axis configuration. The Z-axis shown is the LSA-Lead Screw actuator with Inline motor.

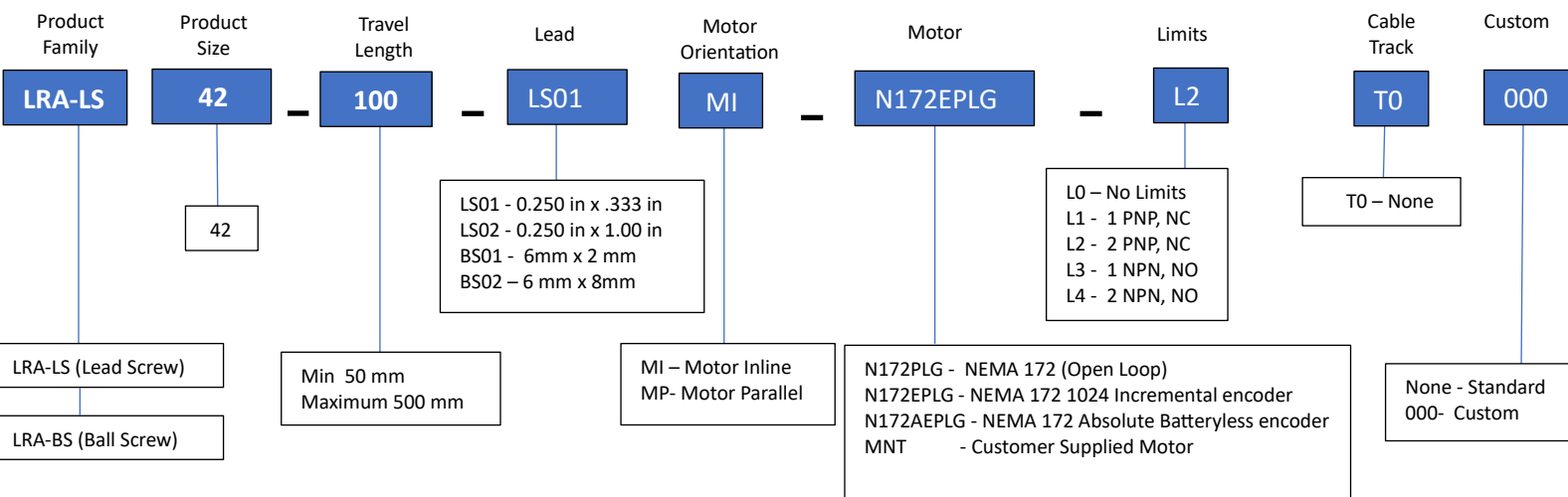


Stepper or Servo Controls
Stepper or Servo Motors
Integrated Motor Options

LRA-LS/BS Screw Drive Actuator



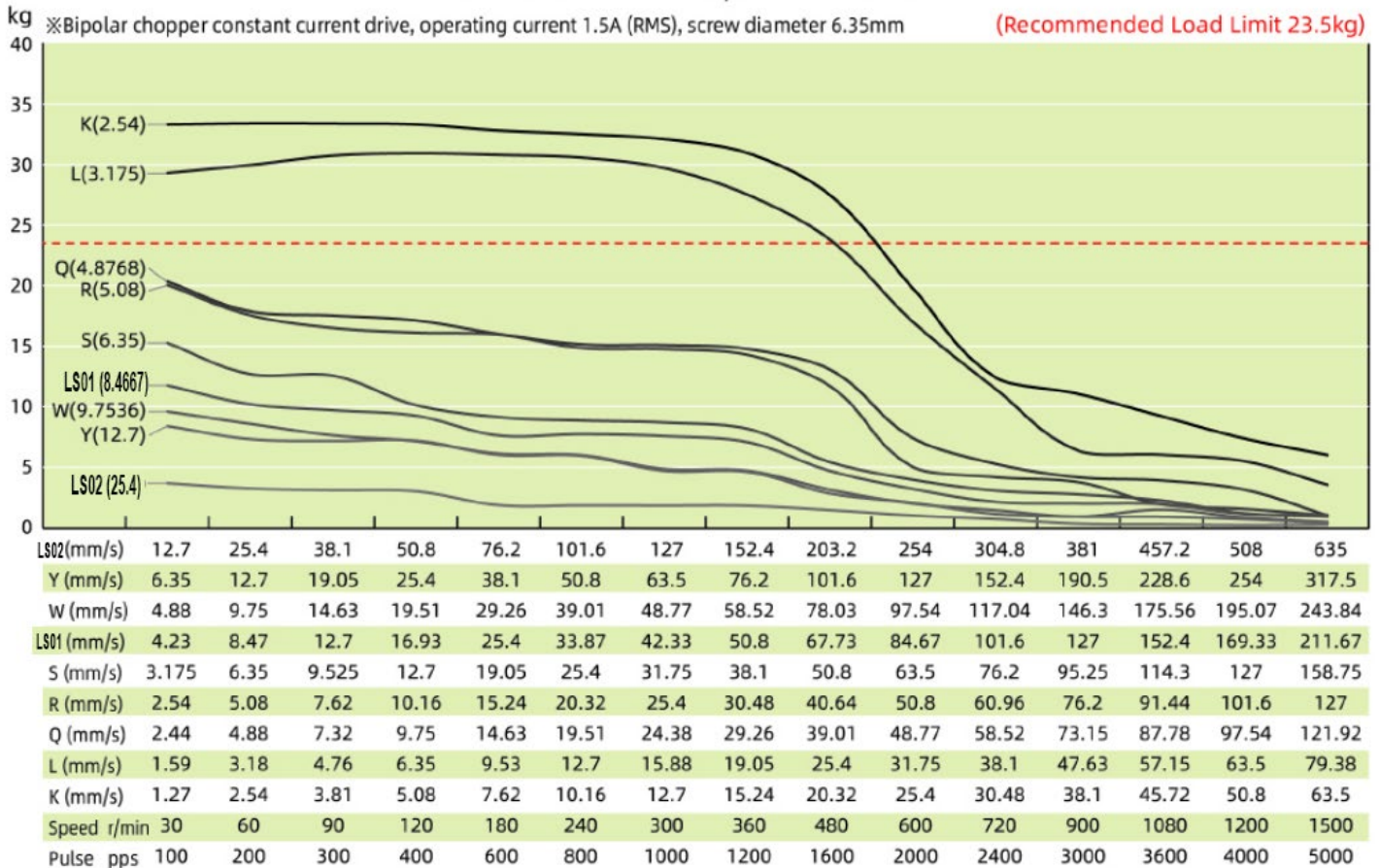
Actuator Type	W	H	H1	L1	L2	L3	W1	C1	C2	C3	C4	S1	Dyn Load Capacity N	Dyn Moment Load Cap. Nm		
													MR	MP	MY	
LRA42	42	42	47.75	32	Travel + 95mm	35	26	35	26	M3x0.5	2 x 2mm pin hole	10	50	11.7	6.4	6.4



LRA-LS/BS Linear Rotary Actuator

LSA-Lead Screw Actuators

Size 14 Double Stack Speed Thrust Curves



BSA-Ball Screw Actuators

Size 14 Double Stack Speed Thrust Curves

