

LSA/BSA Lead Screw/Ball Screw Actuator



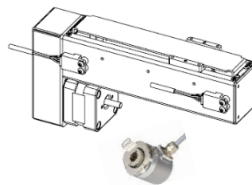
NINJA SERIES LINEAR ACTUATORS

Feature/Benefit

- Compact design for low profile requirements.
- Lead screw or Ball Screw drive for reliable and quiet operation.
- Modular design provides simple method for creating multi-axis solutions.
- EASY-2-Mount Motor adapter system for mounting Modusystems motor solutions.
- Linear ball recirculation system provides smooth and quiet motion combined with adequate moment load capacities.
- Single Part number solution provides easy to select pre-engineered, pre-assembled Linear motion solution.
- LSA/BSA design allows for parallel mount motor up, down, left, right and inline options.
- Let us select a Modusystems Pre-engineered motor and control solution for your next Screw Drive application.

LSA/BSA Screw Drive Options

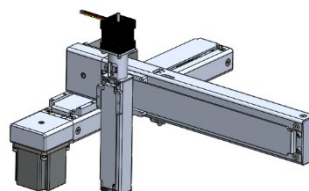
LSA/BSA with Optical Encoder Option: Screw Drive actuators are available with multi-turn 16-bit absolute encoder with energy harvesting...no battery back-up required.



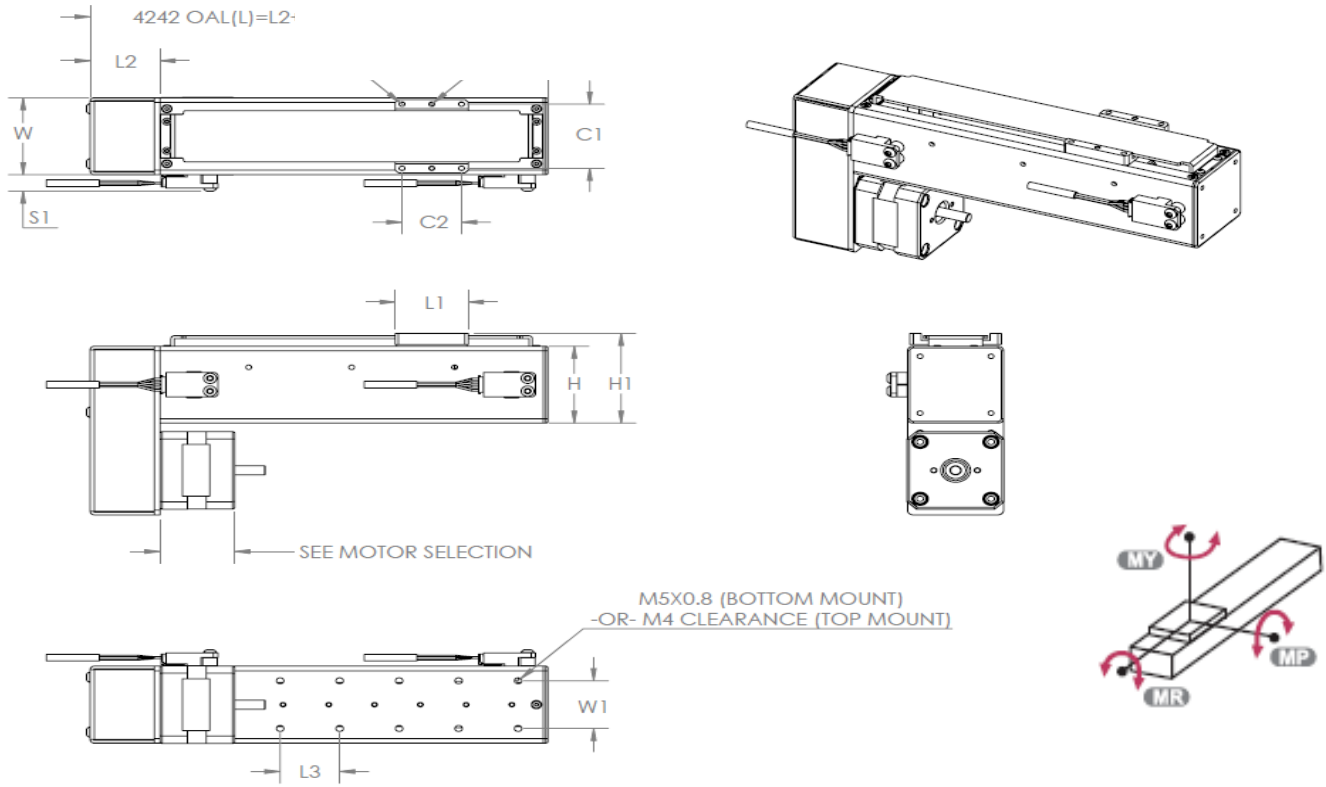
LSA/BSA as a Z-axis: The LSA can be selected with the parallel mount which allows for a more compact design and an easier pathway for cables.



LSA/BSA with Inline motor Mount: The actuator is a nice addition to any multi-axis configuration. The Z-axis shown is the LSA-Lead Screw actuator with Inline motor.



LSA/BSA Screw Drive Actuator



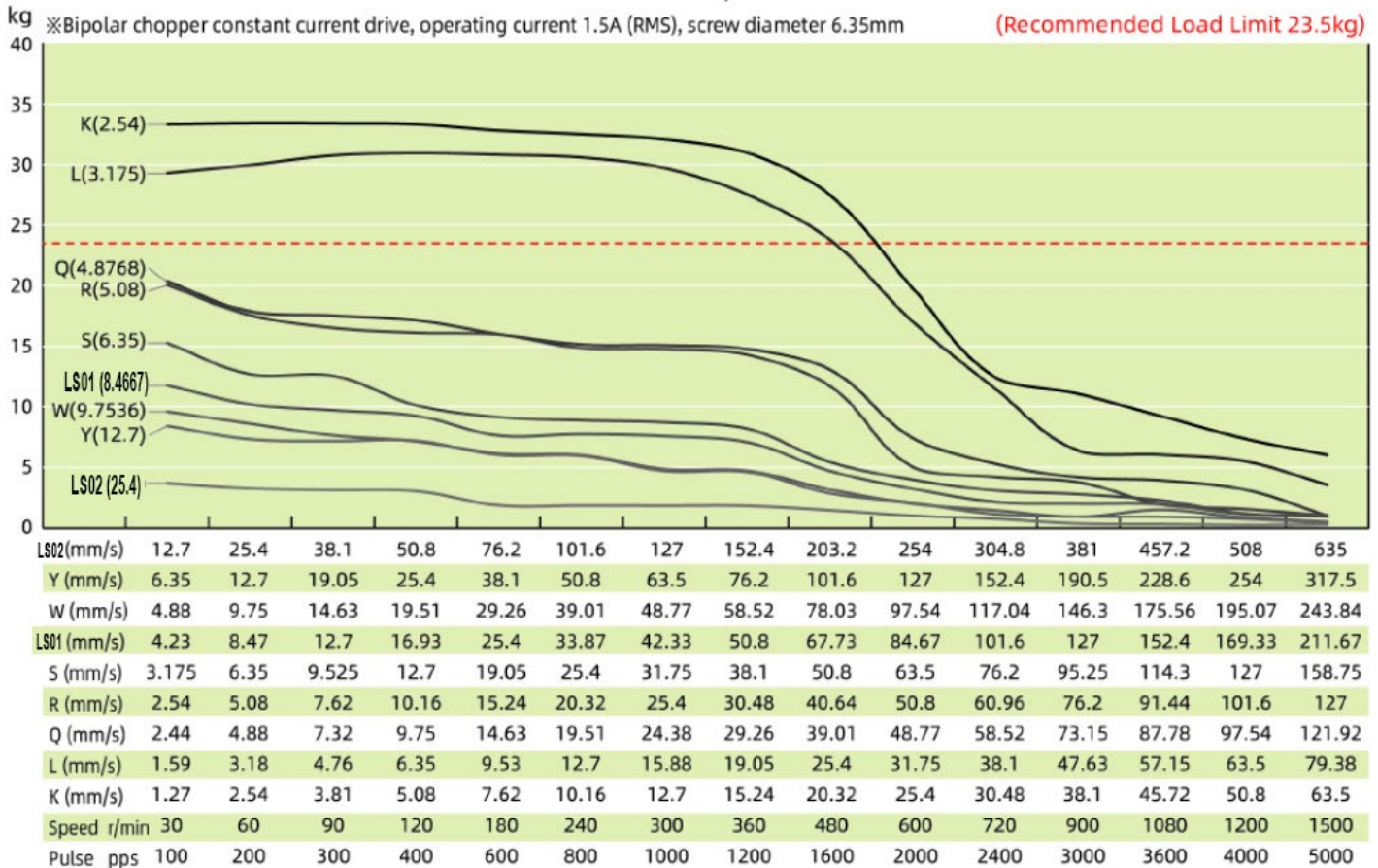
Actuator Type	W	H	H1	L1	L2	L3	W1	C1	C2	C3	C4	S1	Mass g	Dyn Load Capacity N	Dyn Moment Load Cap. Nm MR	Dyn Moment Load Cap. Nm MP	Dyn Moment Load Cap. Nm MY
LSA4249	42	42	49	32	30.5	26	26	35	26	M4	2 x 3mm pin hole	7.5	719g + 1.45g x travel (mm)	50	11.7	6.4	6.4
BSA4249	42	42	49	32	30.5	26	26	35	26	M4	2 x 3mm pin hole	7.5	735g + 1.45g x travel (mm)	50	11.7	6.4	6.4

Product Family	Product Size	Travel Length	Lead	Motor Orientation	Motor	Limits	Cable Track	Custom
LSA	4249	150	LS01	MU	N142EPLG	L2	T0	000
LSA-Lead Screw Actuator BSA-Ball Screw Actuator	4249	Min 50 mm Maximum 500 mm	LS01 - 0.250 in x .333 in LS02 - 0.250 in x 1.00 in BS01 - 6mm x 5mm	MU – Motor Up MD – Motor Down ML – Motor Left MR- Motor Right MI – Motor Inline	N142EPLG - NEMA 14-2 with 1024 encoder N172EPLG - NEMA 17-2 with 1024 encoder MNT - Customer Supplied Motor	L0 – No Limits L1 - 1 PNP, NC L2 - 2 PNP, NC L3 - 1 NPN, NO L4 - 2 NPN, NO	T0 – None T1 - Vert Std Size T2 - Vert Large Size T3 - Hor. Std Size T4 - Hor. Large Size	None - Standard 000- Custom

LSA/BSA Screw Drive Actuator

LSA-Lead Screw Actuators

Size 14 Double Stack Speed Thrust Curves



BSA-Ball Screw Actuators

Size 14 Double Stack Speed Thrust Curves

