

# Lead Screw Driven Stages-NEMA23

Continuous thrust to 200 lbf (890N)

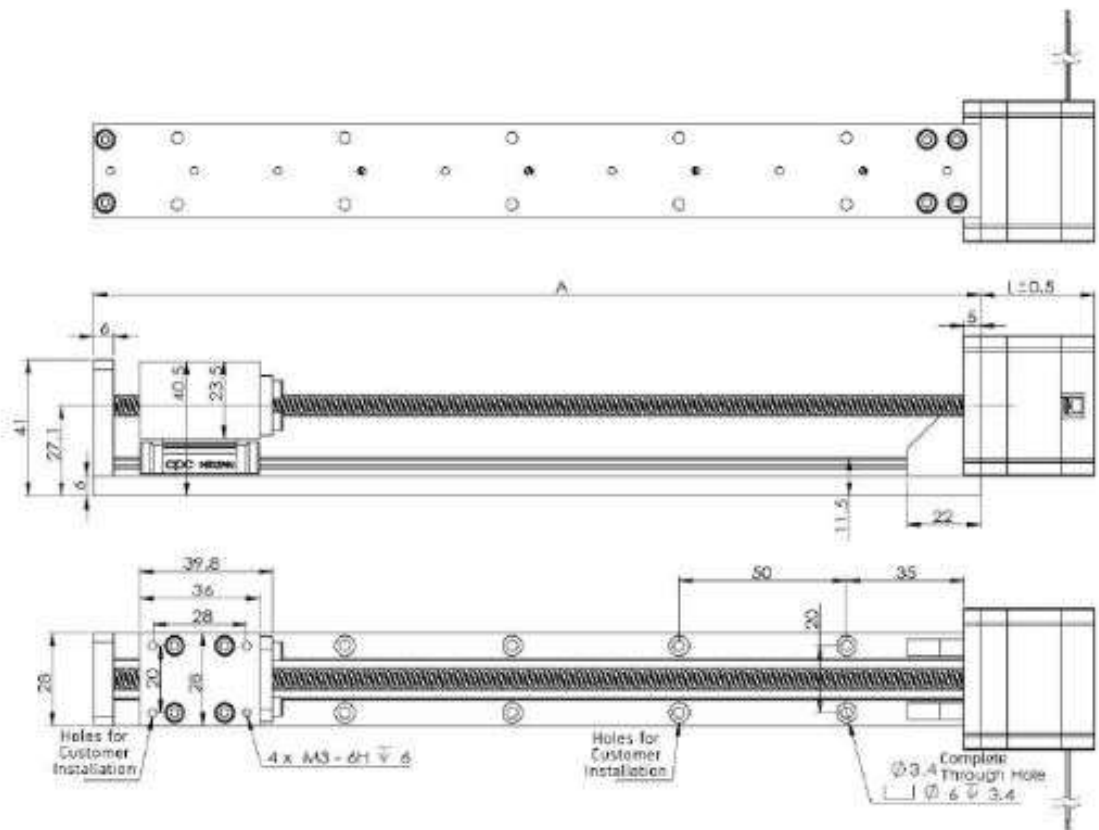


## NEMA 23 Motor Characteristics

Motor	Voltage (V)	Current (A)	Resistance ( $\Omega$ )	Inductance (mH)	Lead Wire No.	Motor Length (mm)
23-2110	6.4	1.0	6.4	16.4	4	45
23-2120	3.2	2.0	1.6	4.1	4	45
23-2130	2.1	3.0	0.7	1.7	4	45
23-2210	10.8	1.0	10.8	32.0	4	65
23-2225	4.2	2.5	1.7	5.2	4	65
23-2240	2.4	4.0	0.65	2.0	4	65

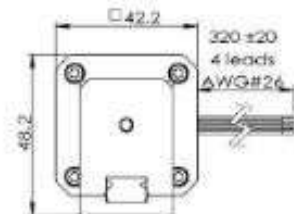
## Available Lead Screws and Travel per Step

Screw Diameter (inch)	Screw Diameter (mm)	Lead (inch)	Lead (mm)	Lead Code	Travel Per Step (mm)
0.375	9.525	0.025	0.635	A	0.003
0.375	9.525	0.05	1.27	D	0.0064
0.375	9.525	0.0625	1.5875	F	0.0079375
0.375	9.525	0.083	2.1082	H	0.01
0.375	9.525	0.1	2.54	K	0.012
0.375	9.525	0.125	3.175	L	0.015
0.375	9.525	0.167	4.2418	P	0.021
0.375	9.525	0.2	5.08	R	0.025
0.375	9.525	0.25	6.35	S	0.031
0.375	9.525	0.375	9.525	V	0.047
0.375	9.525	0.384	9.7536	W	0.048
0.375	9.525	0.400	10.1600	X	0.0508
0.375	9.525	0.5	12.7	Y	0.063
0.375	9.525	1.0	25.4	Z	0.127

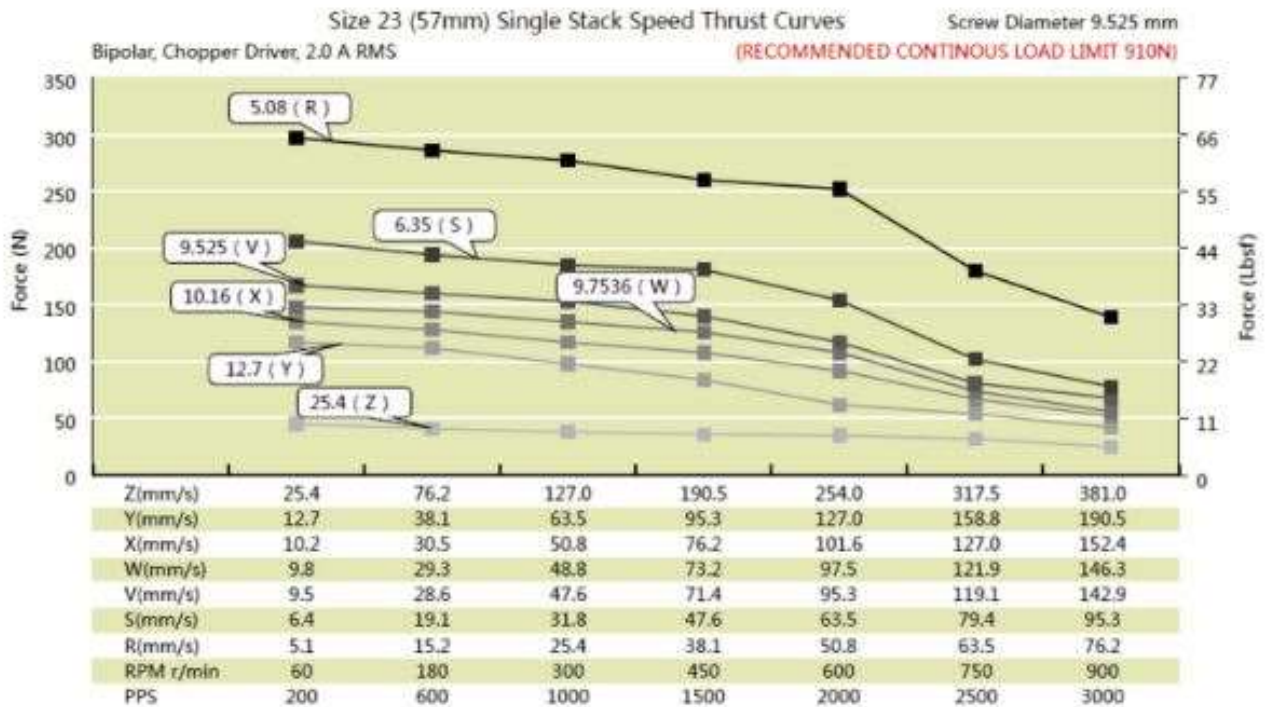
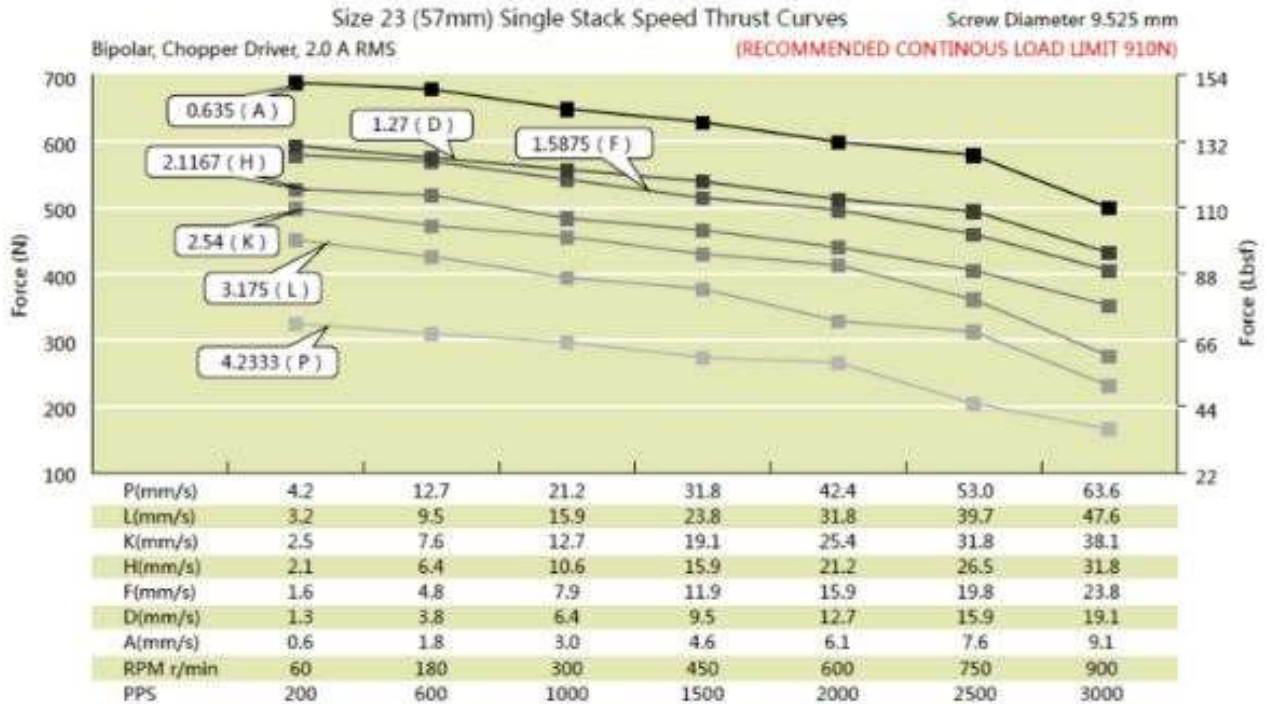


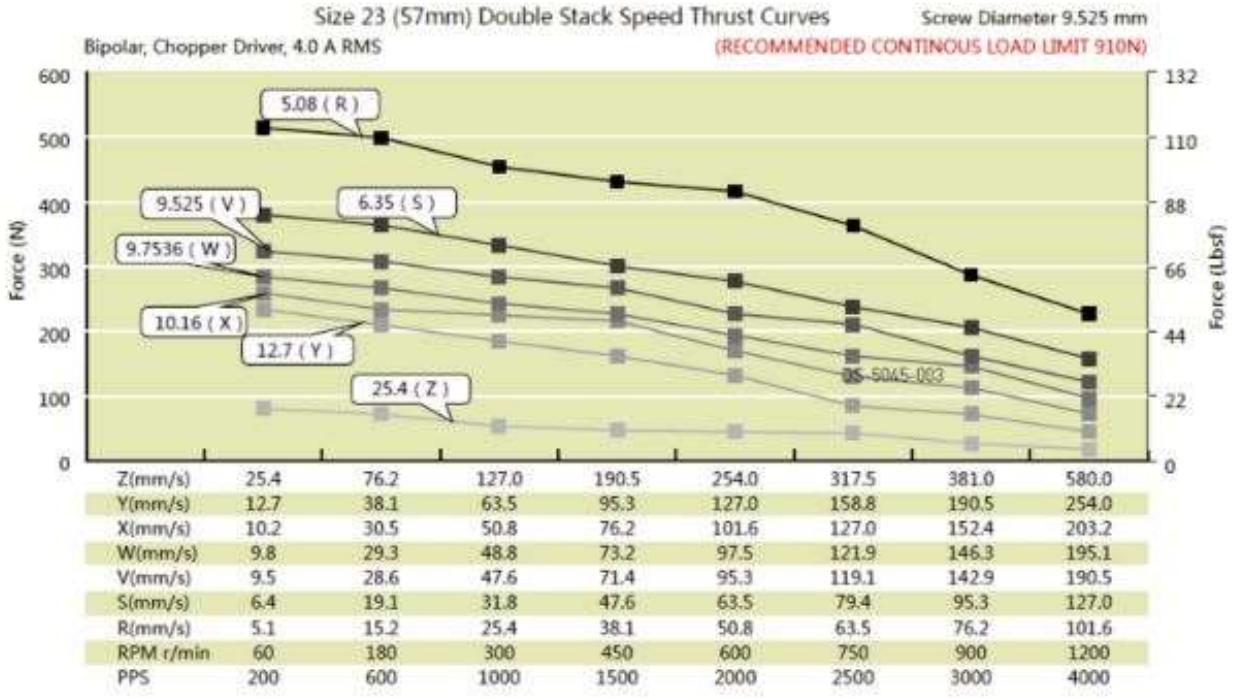
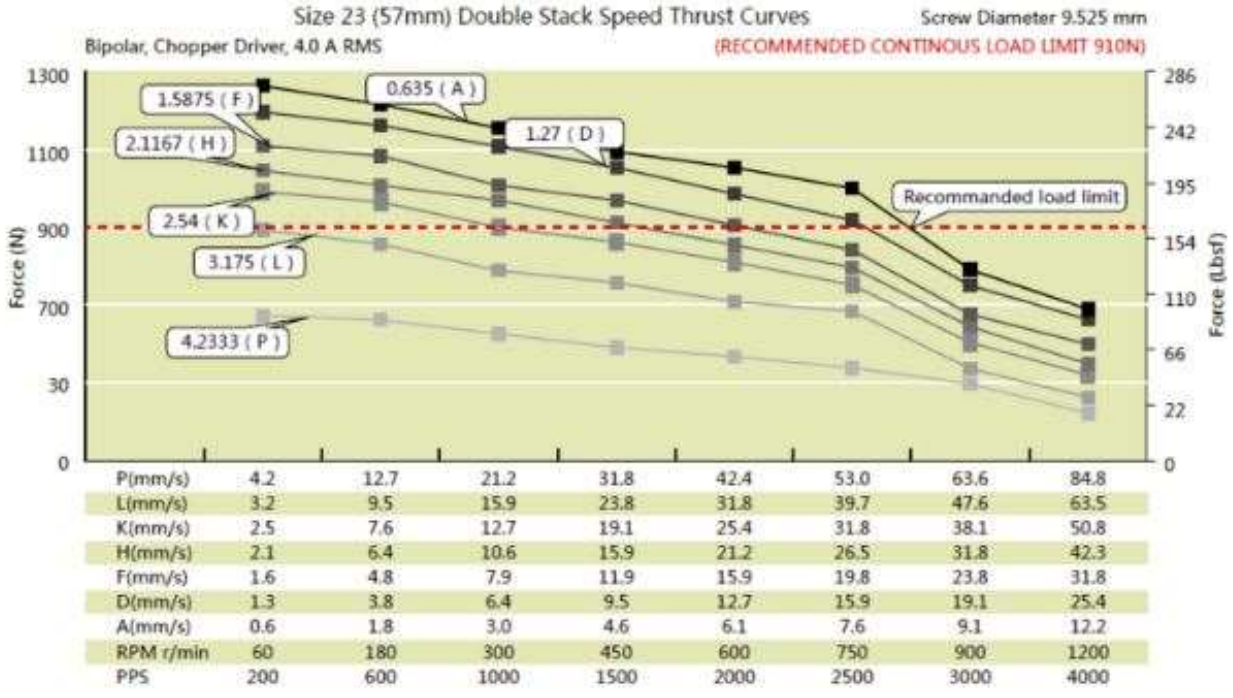
### Optional Screw and Step Motor Size

Size A	Stroke B	Motor Length L (mm)	
115	50	34.1	48.1
165	100	34.1	48.1
215	150	34.1	48.1
265	200	34.1	48.1
315	250	34.1	48.1
365	300	34.1	48.1
415	350	34.1	48.1
465	400	34.1	48.1
515	450	34.1	48.1
565	500	34.1	48.1



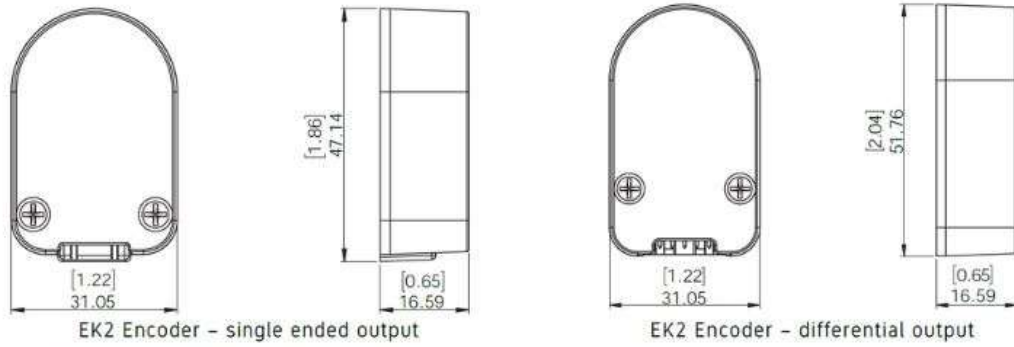
## ■ Size 23 (57mm) Performance Curves







NEMA 23 ENCODER OPTIONS



**EK2 Encoder (Used for Size 14, 17, 23 Motor)**

Resolution(CPR)	50	100	192	200	250	256	360	400	500	720	900	1000	1250	2000	2500	4000	5000
Single ended output	0	1	2	3	4	5	6	7	8	9	10	11	12				
Differential output	A	B	C	D	E	F	G	H	I	J	K	L	M	N	O	P	Q

**2 Phase, 4 Wires - Wiring Diagram**

