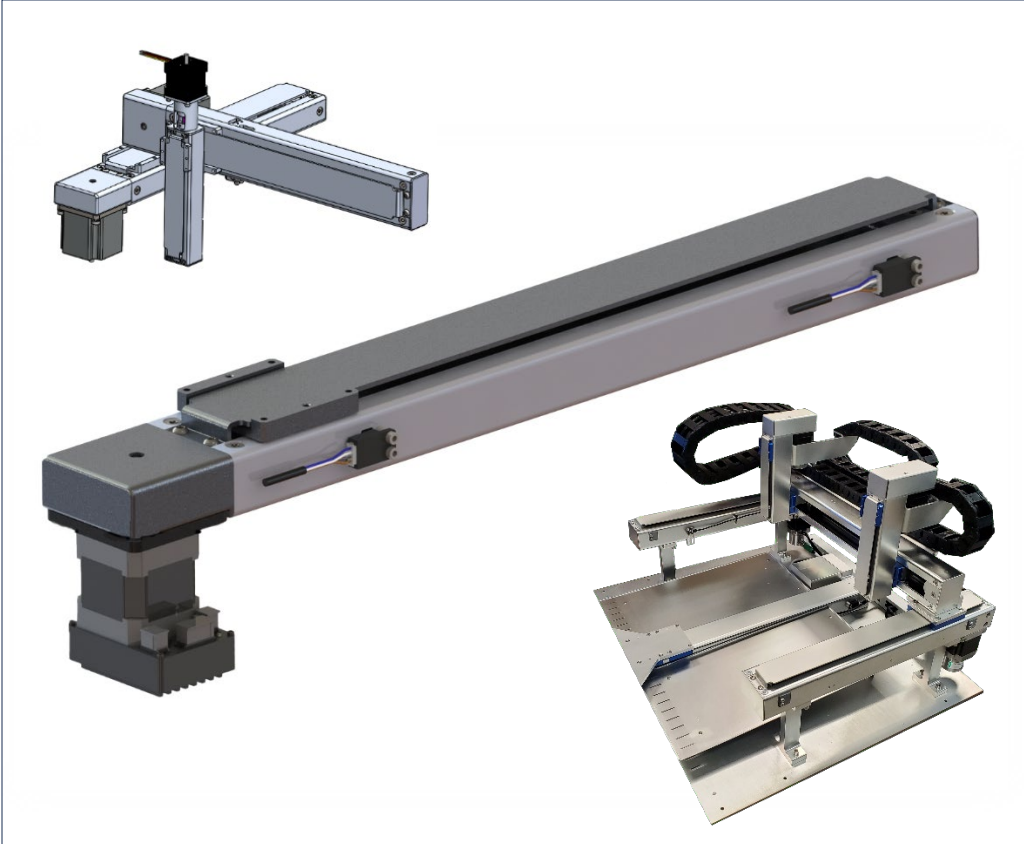


SBA Single Belt Actuator



NINJA SERIES

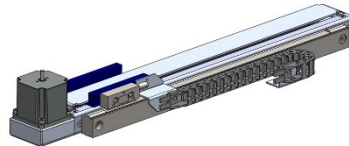
LINEAR ACTUATORS

Feature/Benefit

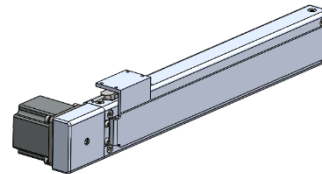
- Compact design for low profile requirements.
- Belt Driven design for speeds up to 2 m/s with accelerations of 2 g.
- Modular design provides simple method for creating multi-axis solutions.
- EASY-2-Mount Motor adapter system for mounting ModuSystems motor solutions or your own.
- Linear ball recirculation system provides smooth and quiet motion combined with adequate moment load capacities.
- Single Part number solution provides easy to select pre-engineered, pre-assembled Linear motion solution.
- SBA design allows for either vertical or horizontal orientation as well as motor up and motor down options.
- Let us select a ModuSystems Pre-engineered motor and control solution for your next SBA.

SBA Single Belt Actuator Options

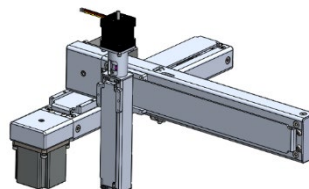
SBA with Linear Encoder Option: SBA is available with 0.1 μ Resolution magnetic encoder. Perfect for high-speed repeatable motion.



SBA with Top Mounting Flange Option: The top flange carriage option allows for SBA vertical orientation or for additional SBA axes of motion.

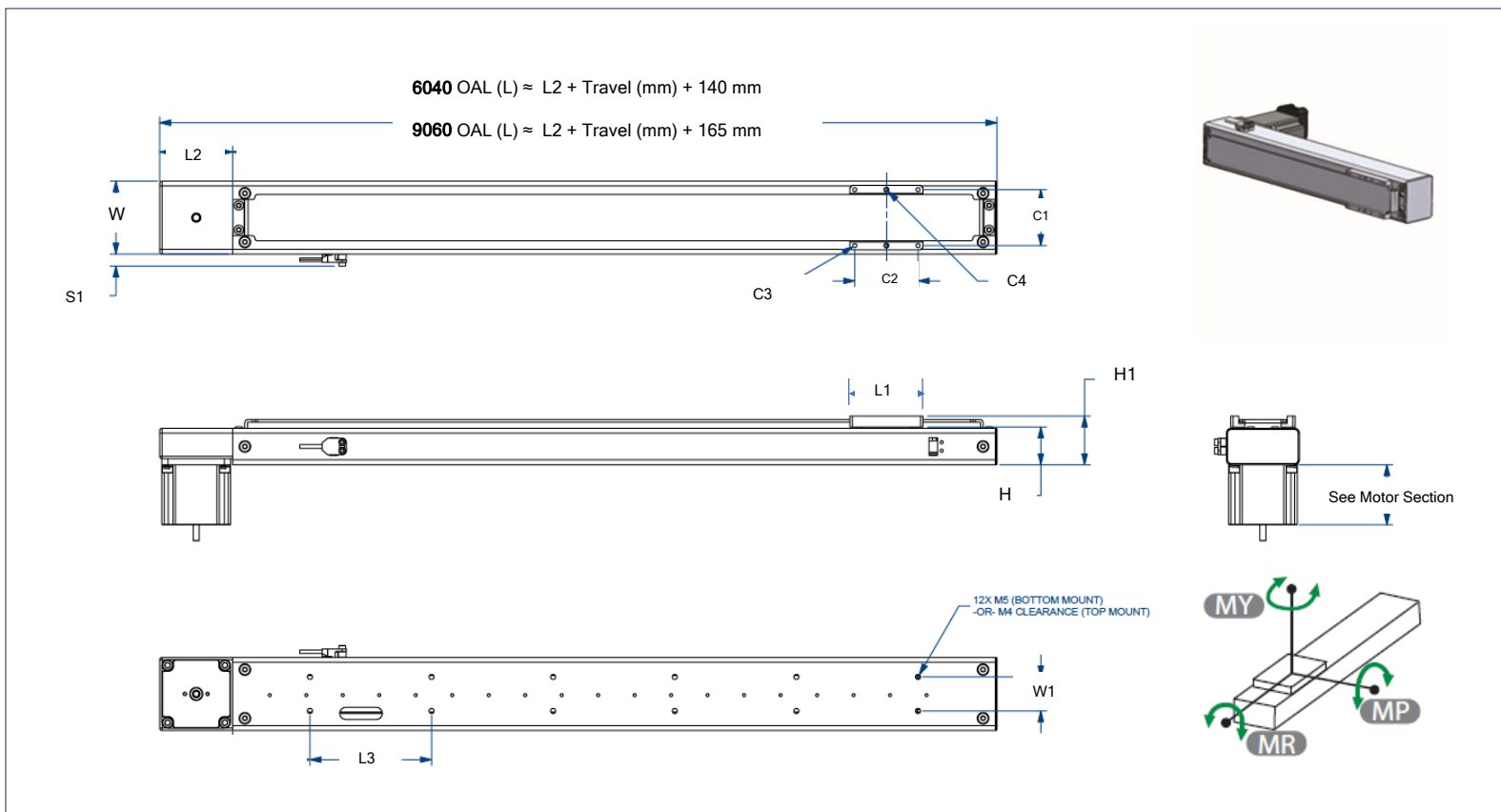


SBA XYZ Option: SBA unique modular design allows for easy to specify and assemble multi axis systems. Z-axis shown is LSA-Lead Screw actuator with Inline motor.



Stepper or Servo Controls
Stepper or Servo Motors
Integrated Motor Options

SBA Single Belt Actuator



SBA	W	H	H1	L1	L2	L3	W1	C1	C2	C3	C4	S1	Mass kg	Dyn Load Capacity N	Dyn Moment Load Cap. Nm		
															MR	MP	MY
6040	60	30	40	58	60	100	28	50	50	M4	2 x 3mm pin hole	7.5	1.48+ (.0014 x travel mm)	75	31	14.9	14.9
9060	90	45	60	68	90	100	68	78	50	M4	2 x 3mm pin hole	7.5	3.20+ (.002 x travel mm)	150	171	161	161

Product Family	Product Size	Travel Length	Lead	Motor Orientation	Motor	Limits	Cable Track	Custom
SBA	9060	1000	150	MU	N341AEPLG	L2	T1	001
SBA-Single Belt Actuator	6040 9060	Min 0250 mm Maximum 2400 mm	100- 100 mm/rev (6040) 150- 150 mm/rev (9060)	MU – Motor Up MD – Motor Down	N231AEPLG - (6040) BLADE Stepper SVM-NV23 - (6040) SAMURAI Servo N341AEPLG - (9060) BLADE Stepper SVM-NV34 - (9060) SAMURAI Servo MNT - Customer Supplied Motor	L0 – No Limits L1 - 1 PNP, NC L2 - 2 PNP, NC L3 - 1 NPN, NO L4 - 2 NPN, NO	T0 – None T1 - Vert Std Size T2 - Vert Large Size T3 - Hor. Std Size T4 - Hor. Large Size	None - Standard 000- Custom